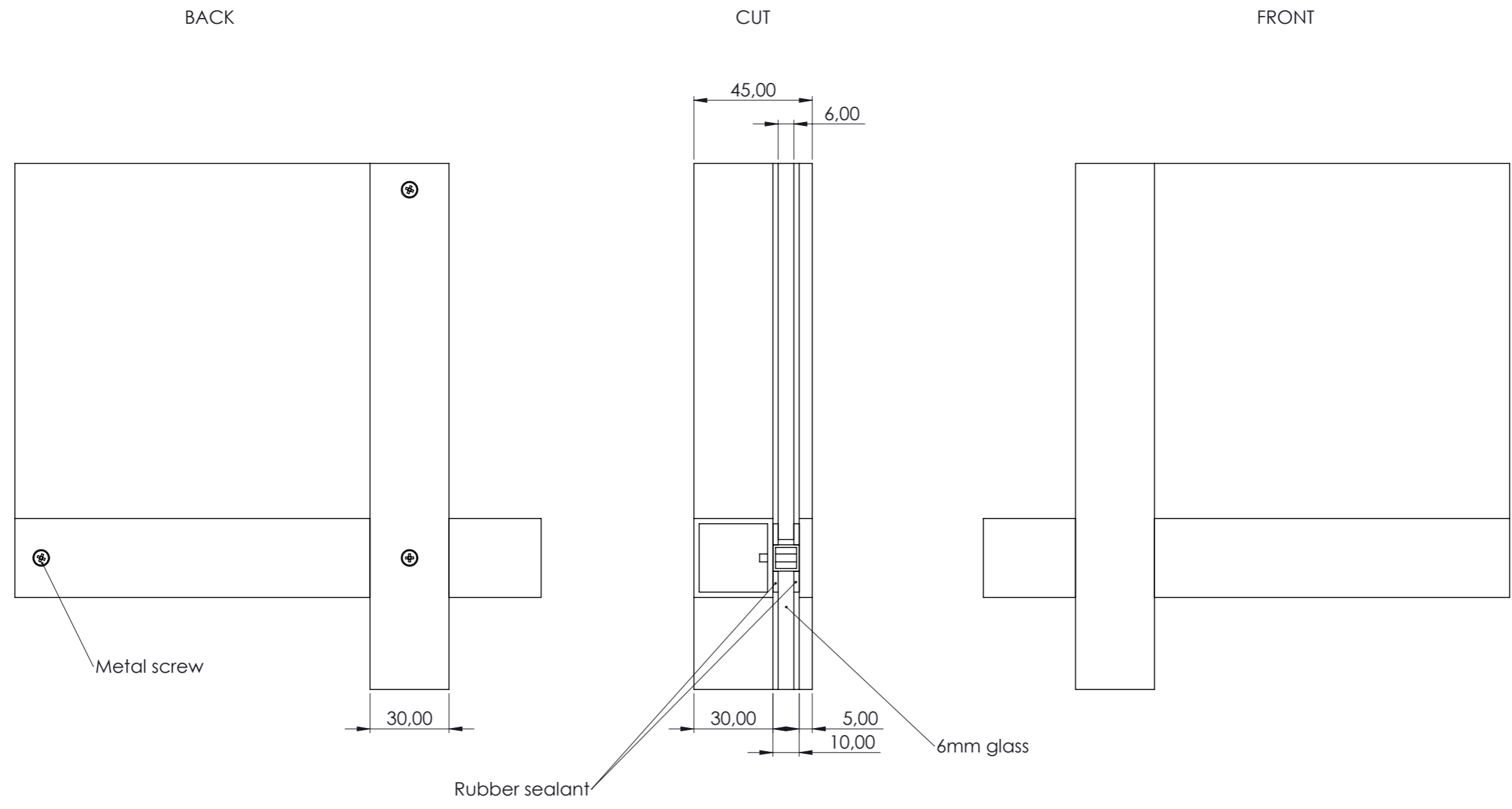
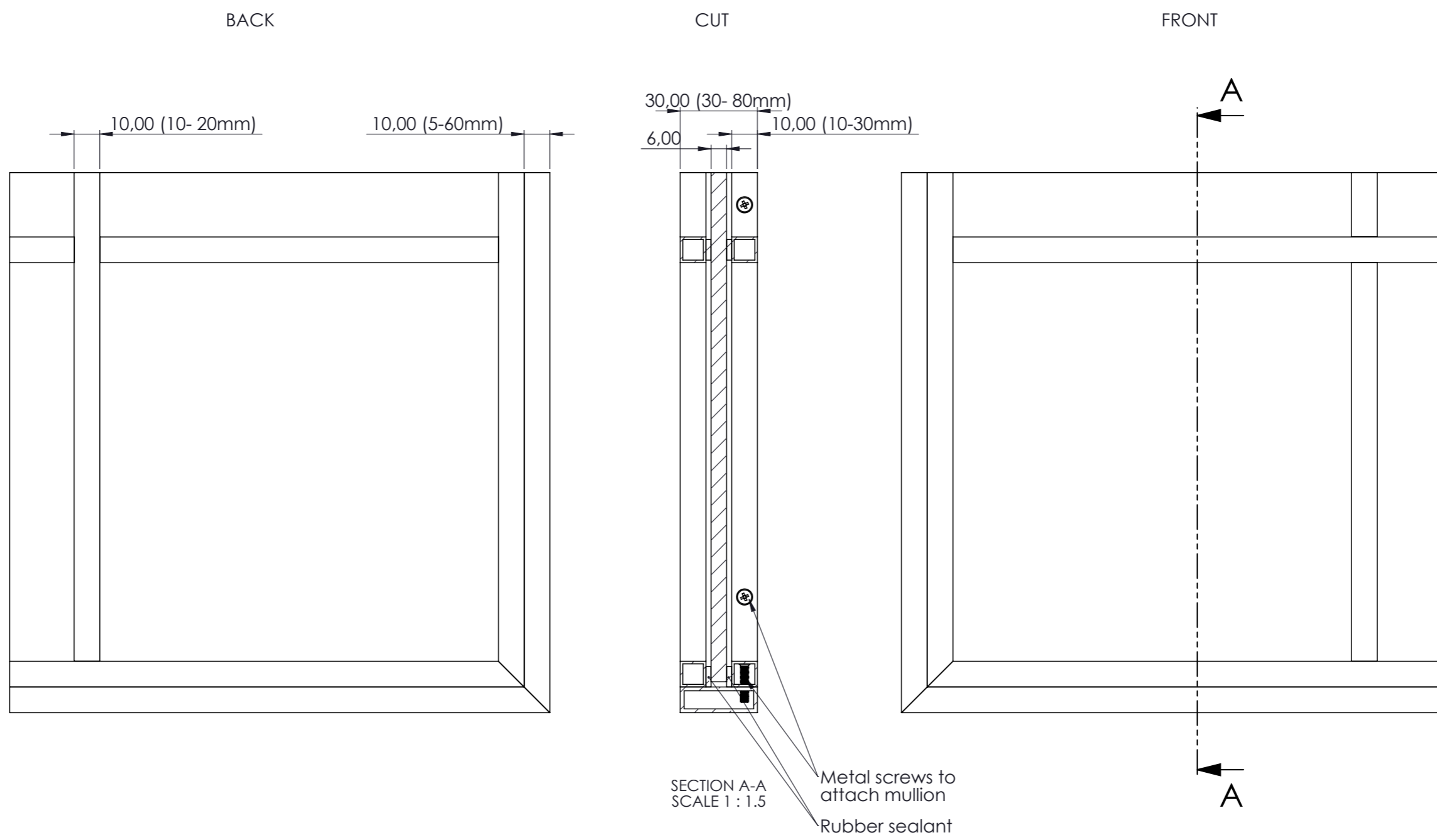


METAL FORM[®]

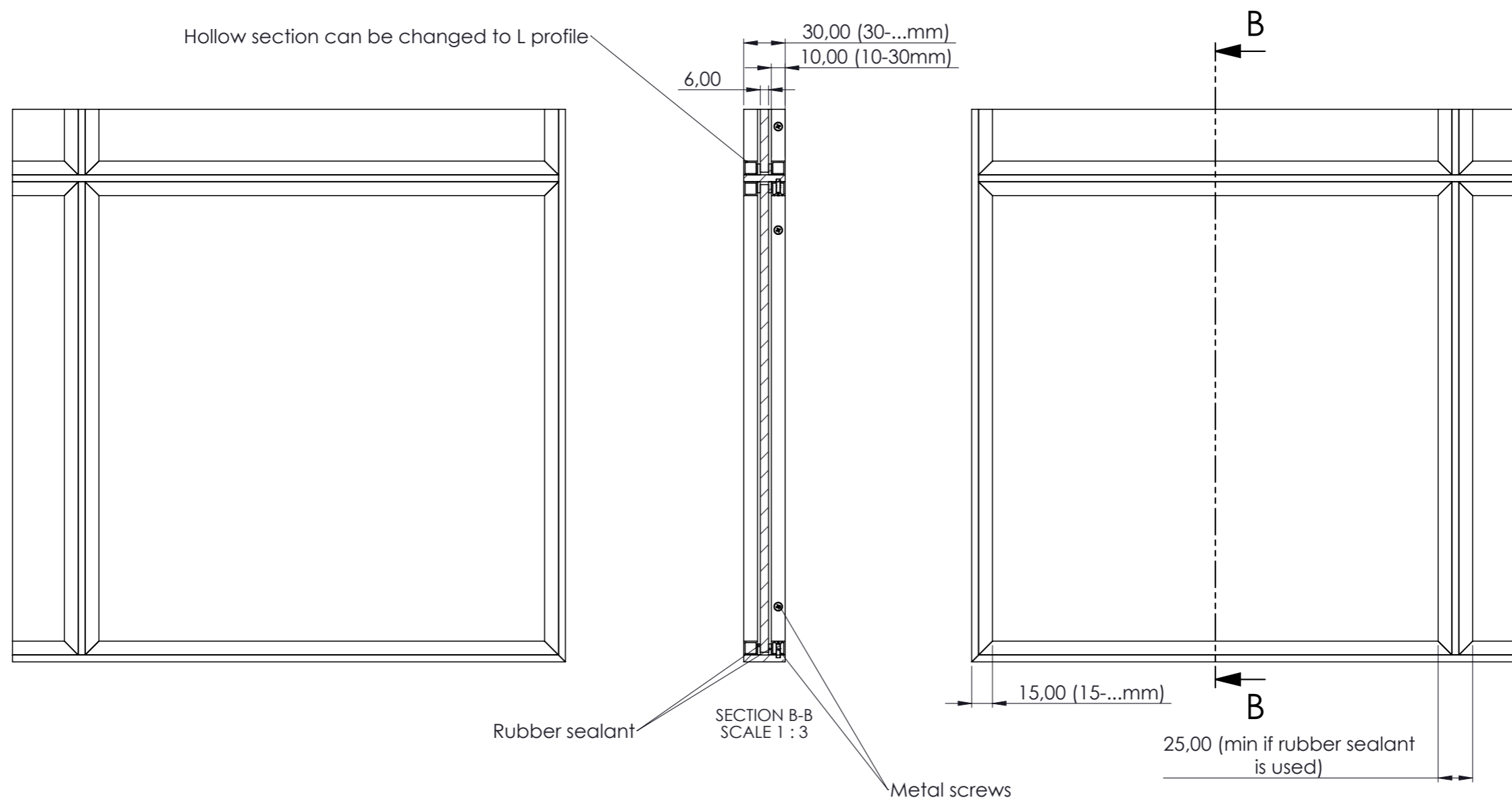


1. All profiles can be changed according to client needs and safety requirements
2. Hollow section rounded corners are not showed in drawings
3. Slim and frame-in-frame style can also be used with silicone or glass glue

Version	1	Regular Style by Metal Form	Quantity	Scale
Date	09/05/2019		X	1.1,5
Developed by:			Page 1	Page's 3
Orion House14 Barn Hill, Stamford PE9 2AE		Example		
leon@metalforgroup.com				
www.metalforgroup.com				



Version	1	Slim Style by Metal Form	Quantity	Scale
Date	09/05/2019		X	1.1,5
Developed by:			Page 2	Page's 3
Orion House14 Barn Hill, Stamford PE9 2AE		Example		
leon@metalforgroup.com				
www.metalforgroup.com				



Version	1	Frame in Frame Style by Metal Form	Quantity	Scale
Date	09/05/2019		X	1.1,5
Developed by:			Page 3	Page's 3
Orion House 14 Barn Hill, Stamford PE9 2AE		Example		
leon@metalformgroup.com				
www.metalformgroup.com				